

Small Linear Thermoelectric Actuator

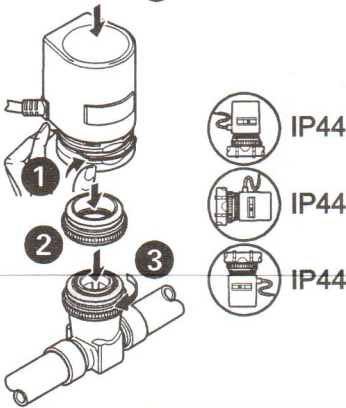
Thermoelektrischer Stellantrieb/Petit actionneur linéaire thermoélectrique/
Piccolo attuatore termoelettrico lineare/Silownik termiczny

MT4-024/MT4-230/MT8-024/MT8-230

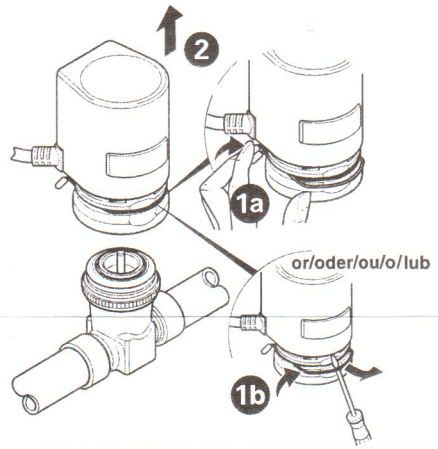
Mounting Instructions/Montageanleitung/
Instructions de montage/Istruzioni di montaggio/Instrukcja Montażu

Mounting/Montage/Montage/ Montaggio/Montaż

Klick ④



Dismounting/Demontage/Démontage/ Smontaggio/Demontaż



Valve Functions/Ventileinstellungen/Fonctions des soupapes/Funzioni della valvola/ Wersje zaworu

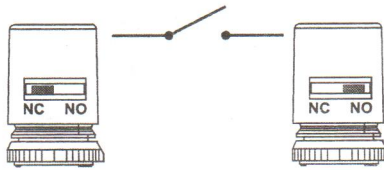
NC (stromlos geschlossen)
Version

NC (normally-closed)
version

Version NC
(normalement fermé)

Versione NC
normalmente chiuso

NC normalnie zamknięty



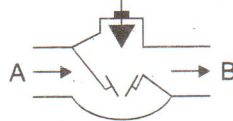
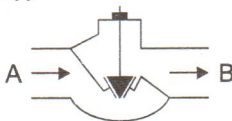
NO (stromlos open)
Version

NO (normally-open)
version

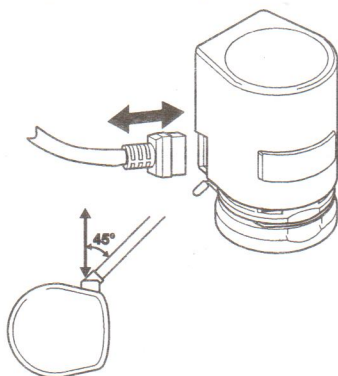
Version NO
(normalement ouvert)

Versione NO
normalmente aperto

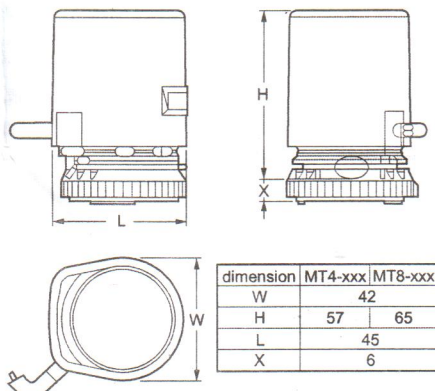
NO normalnie otwarty



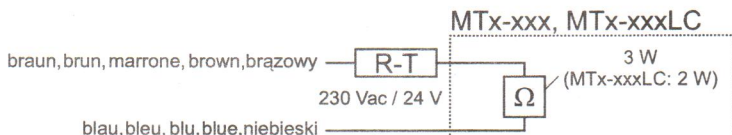
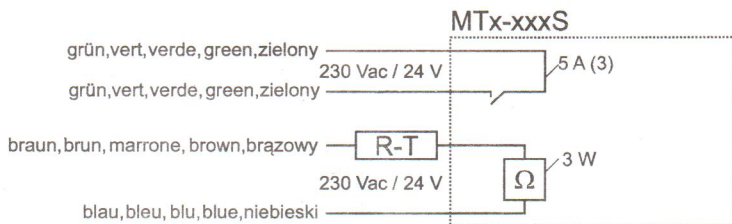
Replacement, easy installation/
Austausch, einfache Installation/
Remplacement, installation facile/
Sostituzione, installazione semplice/
Wymiana, łatwe podłączenie



Dimensions/Abmessungen/Dimensions/
Dimensioni/Wymiary (mm)



Wiring/Verkabelung/Câblage/Montaggio/Przewody



Manufactured for and on behalf of the Environment and Combustion Controls Division of Honeywell Technologies Sàrl, Ecublens, Route de Bois 37, Switzerland by its Authorized Representative:

Honeywell GmbH

Hardhofweg

D-74821 Mosbach

<http://europe.hbc.honeywell.com>

Subject to change without notice

Manufacturing certified to

**DIN EN ISO
9001/14001**

This document replaces all previously issued instructions and is applicable only to the product with which it is supplied.

Honeywell GmbH hereby declares that this product is in compliance with the essential requirements and other relevant provisions of Directive 1995/5/EEC.



EB-Smart-T-NO-NC

(383) 299-42-12, 291-00-23

MU1B-0303GE51 R0307
<http://volcano.sibclim.ru/>