

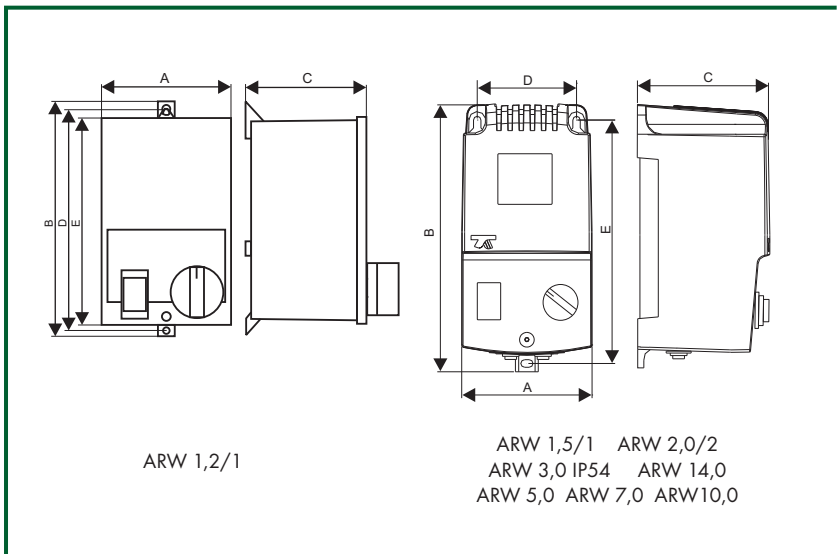
Fan speed controller

ARW

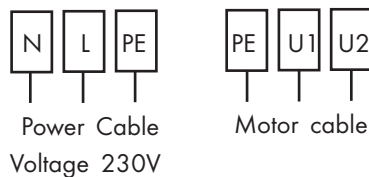
Autotransformer regulators serve the purpose of airflow control, fitted in single-phase ventilation and heating systems. The transformers are made with Class II insulation and protection grade IP30 or IP54, maximum ambient temperature 40°C, thermal class of insulation B (130°C).
 Manufactured in compliance with EN 61558-2-13.



Rated current SEC :0,5 - 14A
 Rated voltage PRI :230 V 50/60 Hz
 Rated voltage SEC :5-step regulation



GRAPH OF CONNECTION



Type	Art. Nr.	U pri [V]	Current [A]	Step of regulation Ur[V] / Ir[A]					Dimensions [mm]		Weight [kg]
				1	2	3	4	5	A x B x C x D x E x Ø		
ARW 1,2/1	17886-9999	230	1,2	115/0,9	135/1,0	155/1,1	180/1,2	230/1,2	77 x 138 x 71 x 128 x 128 x M4	1,4	
ARW 1,5/1	17886-9990	230	1,5	115/1,5	135/1,5	155/1,5	180/1,5	230/1,5	90 x 175 x 95 x 71 x 157 x M4	1,5	
ARW 2,0/2 IP54	17886-9993	230	2,0	65/0,9	110/1,5	135/1,7	170/2,0	230/2,0	90 x 175 x 95 x 71 x 157 x M4	2,3	
ARW 3,0 IP54	17886-9965	230	3,0	115/2,2	135/2,5	155/2,8	180/3,0	230/3,0	90 x 175 x 95 x 71 x 157 x M4	2,5	
ARW 5,0		230	5,0	80/4,0	105/4,3	135/4,6	170/5,0	230/5,0	123 x 240 x 125 x 105 x 220 x M6	4,5	
ARW 7,0		230	7,0	80/6,0	105/6,3	135/6,6	170/7,0	230/7,0	123 x 240 x 125 x 105 x 220 x M6	5,5	
ARW 10,0		230	10,0	80/6,5	105/7,5	135/8,5	170/10,0	230/10,0	147 x 277 x 155 x 113 x 255 x M6	6,2	
ARW 14,0	17886-9981	230	14,0	80/8,0	105/9,5	135/11	170/12,5	230/14,0	147 x 277 x 155 x 113 x 255 x M6	10,5	

(383) 299-42-12, 291-00-23

<http://volcano.sibclim.ru/>

Because of the constant development of product construction and changes concerning technical requirements, Breve-Tufvassons Company reserves the right to change the parameters mentioned